



ALL GEAR LATHE

W.e.f. 1st April 2011 (Amend 10th Sep. 2011)

RAVI MACHINE PRODUCTS

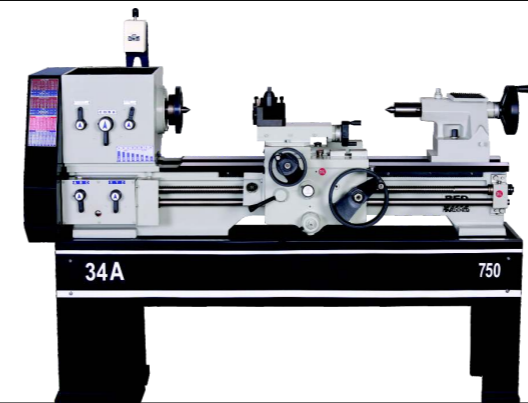
2, Samrat Industrial Area,
B/h. S.T. Workshop, Gondal Road,
Rajkot 360 004.
Ph.: 0281-2372723, Mo.: 0 93741 02898
Email: info@ravimachines.com
Website: www.ravimachines.com



Model 43

SEMI UNIVERSAL GEAR BOX,

A.B.C.	1000 MM	1500 MM
BED LENGTH	6' FEET	8' FEET
CENTER HEIGHT	215 MM	
SWING OVER BED	430 MM	
SPINDEL BORE	52 MM	
SPINDLE SPEED	40-1415 RPM	
WIDTH OF BED	305 MM	
PRICE	Rs. 205000	Rs. 230000



Model 34

SEMI UNIVERSAL GEAR BOX,

A.B.C.	600 MM	750 MM
BED LENGTH	4.5' FEET	5' FEET
CENTER HEIGHT	170 MM	
SWING OVER BED	340 MM	
SPINDEL BORE	40 MM	
SPINDLE SPEED	60-1050 RPM	
WIDTH OF BED	240 MM	
PRICE	Rs. 147500	Rs. 149000



Model 50

SEMI UNIVERSAL GEAR BOX,

A.B.C.	1000 MM	1500 MM	2500 MM
BED LENGTH	7' FEET	9' FEET	12' FEET
CENTER HEIGHT	250 MM		
SWING OVER BED	500 MM		
SPINDEL BORE	53 MM		
SPINDLE SPEED	30-1550 RPM		
WIDTH OF BED	325 MM		
PRICE	Rs. 283000	Rs. 312000	Rs. 369000



Model 35

SEMI UNIVERSAL GEAR BOX,

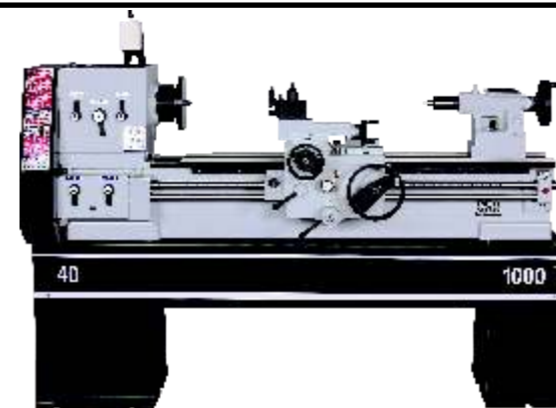
A.B.C.	750 mm	1000 MM	1200 MM
BED LENGTH	5' FEET	6' FEET	7' FEET
CENTER HEIGHT	175 MM		
SWING OVER BED	350 MM		
SPINDEL BORE	40 MM		
SPINDLE SPEED	48-1535 RPM		
WIDTH OF BED	242 MM		
PRICE	Rs. 186000	Rs. 189000	Rs. 203000



Model 60

SEMI UNIVERSAL GEAR BOX,

A.B.C.	1500 MM	2500 MM	3000 MM
BED LENGTH	9' FEET	12' FEET	14' FEET
CENTER HEIGHT	300 MM		
SWING OVER BED	600 MM		
SPINDEL BORE	80 MM		
SPINDLE SPEED	30-1050 RPM		
WIDTH OF BED	375 MM		
PRICE	Rs. 399000	Rs. 461000	Rs. 539000



Model 40

SEMI UNIVERSAL GEAR BOX,

A.B.C.	1000 MM
BED LENGTH	6' FEET
CENTER HEIGHT	200 MM
SWING OVER BED	400 MM
SPINDEL BORE	50 MM
SPINDLE SPEED	48-1535 RPM
WIDTH OF BED	280 MM
PRICE	Rs. 196000

Free Accessories:

Driving Plate (Chuck Plate), Center Adopter, Dead Center - 2, Change Gears, Motor Stand, V Bel - Pulley, Allen Key Set, Spanner Set, First Fill Oil, Vibration Pads, Foundation Bolt & Manual.

Terms & Conditions: (1) Delivery in our factory only (2) Subject to Rajkot Jurisdiction. (3) Inspection at factory site only. (4) Payment 25% Advance with Firm Order. (5) Balance 75% payment before delivery. (6) All applicable Taxes, Packing Extra. (7) Loading, Transportation, Insurance Extra. (8) Installation & Commissioning Extra. # We give warrantee against our own installation for one year (One Shift) only.

RAVI MACHINE PRODUCTS

2, Samrat Industrial Area, Gondal Road, Rajkot 360 004.

Ph.: 0281-2372723, Mo.: 0 93741 02898

Email: info@ravimachines.com Website: www.ravimachines.com



W.e.f. 1st April 2011 Extra Accessories & Arrangement Price list											
Accessories / Model	34-4.5'	34-5'	35-6'	35-7'	40-6'	43-6'	43-8'	50-7'	50-9'	60-9'	60-12'
Ele. Motor 2 HP ISI	6250	6250	6250	6250	6250			-	-	-	-
Ele. Motor 3 HP ISI	-	-	-	-	-	8100	8100	-	-	-	-
Ele. Motor 5 HP ISI	-	-	-	-	-	-	-	11125	11125	11125	11125
Ele. Motor 2 HP Non ISI	5700	5700	5700	5700	5700	-	-	-	-	-	-
Ele. Motor 3 HP Non ISI	-	-	-	-	-	7700	7700	-	-	-	-
Ele. Motor 5 HP Non ISI	-	-	-	-	-	-	-	9700	9700	9700	9700
R / F Switch with Wring	425	425	425	425	425	425	425	425	425	425	425
Control Panel Board	7250	7250	7250	7250	7250	7250	7250	7250	7250	7250	7250
Magnetic Brake, Panel Motor	18375	18375	18375	18375	18375	20215	20215	21975	21975	21975	21975
True Chuck 6" Swastik	4500	4500	-	-	-	-	-	-	-	-	-
True Chuck 8" Swastik	-	-	5750	5750	5750	5750	5750				
True Chuck 10" Swastik	-	-	-	-	-	-	-	8450	8450	8450	8450
True Chuck 6" Sharp	5625	5625	-	-	-	-	-	-	-	-	-
True Chuck 8" Sharp	-	-	7000	7000	7000	7000	7000	-	-	-	-
Dog Chuck 8" Sharp	5900	5900	5900	5900				-	-	-	-
Dog Chuck 10" Sharp	-	-	-	-	8625	8625	8625	8625	8625	8625	8625
Chuck Plate 6-8"	1250	1250	1250	1250	-	-	-	-	-	-	-
Chuck 10"	1750	1750	1750	1750	1750	1750	1750	1750	1750	1750	1750
Face Plate	1875	1875	1875	1875	2375	2375	2375	2375	2375	3125	3125
Steady Rest	1875	1875	1875	1875	2125	2125	2125	3625	3625	4375	4375
Follow Rest	1575	1575	1575	1575	1750	1750	1750	2625	2625	2625	2625
Coolant Fittings SP Type	5250	5250	5250	5250	5250	-	-	-	-	-	-
Coolant Fittings Conventional	6625	6625	6625	6625	6625	6625	6625	6625	6625	6625	6625
Machine Lamp	625	625	625	625	625	625	625	625	625	625	625
Taper Turning Att.	5625	5625	5625	5625	5625	5625	5625	6875	6875	6875	6875
Splash Guard	4375	4875	5625	6125	5625	6575	7375	-	-	-	-
Chuck Guard	1250	1250	1250	1250	1250	1575	1575	1575	1575	1575	1575
Key Way Vise	4875	4875	4875	4875	4875	4875	4875	4875	4875	4875	4875
Key Way Att. With Motor	8125	8125	8125	8125	8125	8125	8125	8125	8125	8125	8125
Quick Change Tool Post	6250	6250	6250	6250	6250	6250	6250	8625	8625	8625	8625
Quick Change Tool Holder	875	875	875	875	875	875	875	1125	1125	1125	1125
Rear Tool Post	1875	1875	1875	1875	2250	2250	2250	2825	2825	2825	2825
Revolving Center	1225	1225	1225	1225	1225	1650	1650	1650	1650	1650	1650
Square Tool Post	1375	1375	1375	1375	1375	1375	1375	1375	1375	1375	1375
Universal Gear Box	-	-	17000	17000	17000	17000	17000	24450	24450	24450	24450
Carriage Stopper 4 Way	1250	1250	1250	1250	1250	1250	1250	1550	1550	1550	1550
Copy Turning Att.	5875	5875	5875	5875	5875	5875	5875	7375	7375	7375	7375
Dog Carriers Straig & Bent	1200	1200	1200	1200	1200	1200	1200	1200	1200	1200	1200
Grinding Fittings 6"	13500	13500	13500	13500	13500	13500	13500	13500	13500	13500	13500
Grinding Fittings 8"	21900	21900	21900	21900	21900	21900	21900	21900	21900	21900	21900
Milling Attachment	14750	14750	14750	14750	14750	14750	14750	17500	17500	17500	17500

Note : We also provide customize Gap Piece in Bed, A1 & A2 Spindle Nose, Extra Center Height, Motor Two Speed, Digital Readout Z, Spindle Bore 50 & 80 mm, Special Colour, Speed and Thread as per your requirement. Charges applicable.



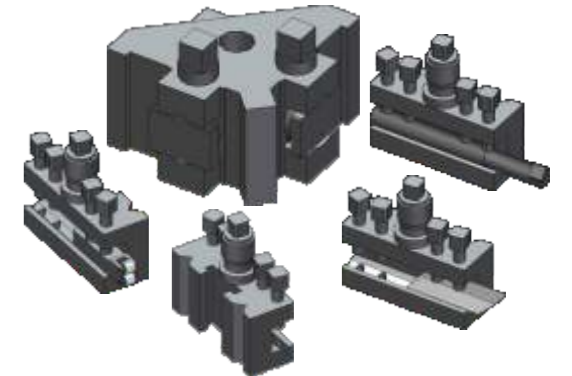
Universal Gear Box



Semi Universal Gear Box



Key Way Att. With Motor



Quick Change Tool Post with Three Too Holder



Dog Chuck



True Chuck



Electric Motor

Note: We also provide customize Gap Piece in Bed, A1 & A2 Spindle Nose, Extra Center Height, Motor Two Speed, Digital Readout Z, Spindle Bore 50 & 80 mm, Special Colour, Speed and Thread as per your requirement. Charges applicable.

Extra Accessories & Arrangement Price list

Accessories / Model	34-4.5'	34-5'	35-6'	35-7'	40-6'	43-6'	43-8'	50-7'	50-9'	60-9'	60-12'
Ele. Motor 2 HP ISI	6250	6250	6250	6250	6250			-	-	-	-
Ele. Motor 3 HP ISI	-	-	-	-	-	8100	8100	-	-	-	-
Ele. Motor 5 HP ISI	-	-	-	-	-	-	-	11125	11125	11125	11125
Ele. Motor 2 HP Non ISI	5700	5700	5700	5700	5700	-	-	-	-	-	-
Ele. Motor 3 HP Non ISI	-	-	-	-	-	7700	7700	-	-	-	-
Ele. Motor 5 HP Non ISI	-	-	-	-	-	-	-	9700	9700	9700	9700
R / F Switch with Wring	425	425	425	425	425	425	425	425	425	425	425
Control Panel Board	7250	7250	7250	7250	7250	7250	7250	7250	7250	7250	7250
Magnetic Brake, Panel Motor	18375	18375	18375	18375	18375	20215	20215	21975	21975	21975	21975
True Chuck 6" Swastik	4500	4500	-	-	-	-	-	-	-	-	-
True Chuck 8" Swastik	-	-	5750	5750	5750	5750	5750				
True Chuck 10" Swastik	-	-	-	-	-	-	-	8450	8450	8450	8450
True Chuck 6" Sharp	5625	5625	-	-	-	-	-	-	-	-	-
True Chuck 8" Sharp	-	-	7000	7000	7000	7000	7000	-	-	-	-
Dog Chuck 8" Sharp	5900	5900	5900	5900				-	-	-	-
Dog Chuck 10" Sharp	-	-	-	-	8625	8625	8625	8625	8625	8625	8625
Chuck Plate 6-8"	1250	1250	1250	1250	-	-	-	-	-	-	-
Chuck 10"	1750	1750	1750	1750	1750	1750	1750	1750	1750	1750	1750
Face Plate	1875	1875	1875	1875	2375	2375	2375	2375	2375	3125	3125
Steady Rest	1875	1875	1875	1875	2125	2125	2125	3625	3625	4375	4375
Follow Rest	1575	1575	1575	1575	1750	1750	1750	2625	2625	2625	2625
Coolant Fittings SP Type	5250	5250	5250	5250	5250	-	-	-	-	-	-
Coolant Fittings Conventional	6625	6625	6625	6625	6625	6625	6625	6625	6625	6625	6625
Machine Lamp	625	625	625	625	625	625	625	625	625	625	625
Taper Turning Att.	5625	5625	5625	5625	5625	5625	5625	6875	6875	6875	6875
Splash Guard	4375	4875	5625	6125	5625	6575	7375	-	-	-	-
Chuck Guard	1250	1250	1250	1250	1250	1575	1575	1575	1575	1575	1575
Key Way Vise	4875	4875	4875	4875	4875	4875	4875	4875	4875	4875	4875
Key Way Att. With Motor	8125	8125	8125	8125	8125	8125	8125	8125	8125	8125	8125
Quick Change Tool Post	6250	6250	6250	6250	6250	6250	6250	8625	8625	8625	8625
Quick Change Tool Holder	875	875	875	875	875	875	875	1125	1125	1125	1125
Rear Tool Post	1875	1875	1875	1875	2250	2250	2250	2825	2825	2825	2825
Revolving Center	1225	1225	1225	1225	1225	1650	1650	1650	1650	1650	1650
Square Tool Post	1375	1375	1375	1375	1375	1375	1375	1375	1375	1375	1375
Universal Gear Box	-	-	17000	17000	17000	17000	17000	24450	24450	24450	24450
Carriage Stopper 4 Way	1250	1250	1250	1250	1250	1250	1250	1550	1550	1550	1550
Copy Turning Att.	5875	5875	5875	5875	5875	5875	5875	7375	7375	7375	7375
Dog Carriers Straig & Bent	1200	1200	1200	1200	1200	1200	1200	1200	1200	1200	1200
Grinding Fittings 6"	13500	13500	13500	13500	13500	13500	13500	13500	13500	13500	13500
Grinding Fittings 8"	21900	21900	21900	21900	21900	21900	21900	21900	21900	21900	21900
Milling Attachment	14750	14750	14750	14750	14750	14750	14750	17500	17500	17500	17500

Note : We also provide customize Gap Piece in Bed, A1 & A2 Spindle Nose, Extra Center Height, Motor Two Speed, Digital Readout Z, Spindle Bore 50 & 80 mm, Special Colour, Speed and Thread as per your requirement. Charges applicable.